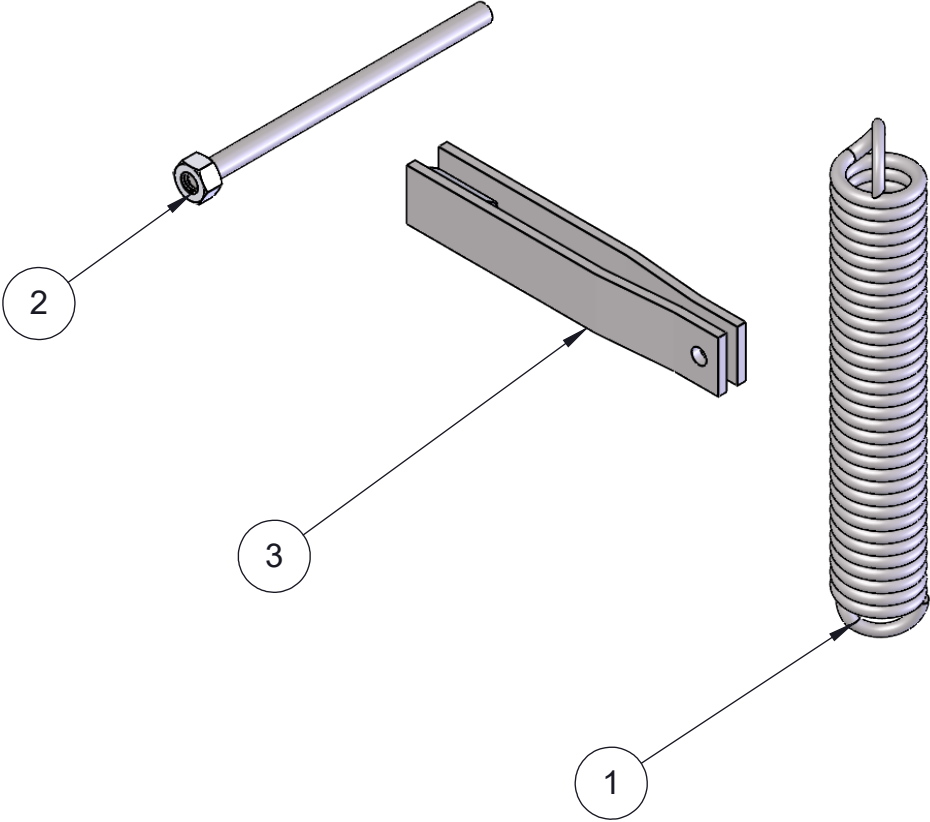


ITEM	PART NUMBER	DESCRIPTION	QTY.
1	14-006424-001	SPRING, BREAKAWAY FENDER	1
2	15-010285-001	WELDMENT, FENDER ROD	1
3	15-010299-001	WELDMENT, SPRING TENSIONER	1



NOTES:
1. REMOVE ALL BURRS AND SHARP EDGES

UNLESS OTHERWISE SPECIFIED
DIMENSIONS ARE IN INCHES
DIMENSIONS IN [] ARE IN MM
TOLERANCES:
ANGULAR: $\pm 1^\circ$
TWO PLACE DECIMAL ± 0.03
THREE PLACE DECIMAL ± 0.010

PROPRIETARY AND CONFIDENTIAL
INFORMATION CONTAINED IN THIS DRAWING IS THE SOLE PROPERTY OF PRECISION EQUIPMENT MANUFACTURING. ANY REPRODUCTION IN PART OR AS A WHOLE WITHOUT THE WRITTEN PERMISSION OF PRECISION EQUIPMENT MANUFACTURING IS PROHIBITED.
Precision Equipment Manufacturing
4009 33rd Street North
Fargo, ND 58102
www.precisionequipmfg.com

3RD ANGLE PROJECTION	NAME	DATE
	TAW	8-5-20
DRAWN:	ENG APPR:	***
MATERIAL: Material <not specified>		
RAW MATERIAL:		
FINISH: NONE		

DWG. NO.
16-006180-001

TITLE:
KIT, FENDER TENSIONER CMPTS

REV.	DESCRIPTION	ECO	DATE	APPROVED
	RELEASE FOR PRODUCTION			
REVISIONS				



SIZE A	ECO RELEASE # XX-XXX	REV A
SCALE: 1:8	WEIGHT: 6.42 LBS.	SHEET 1 OF 1

DO NOT SCALE DRAWING

